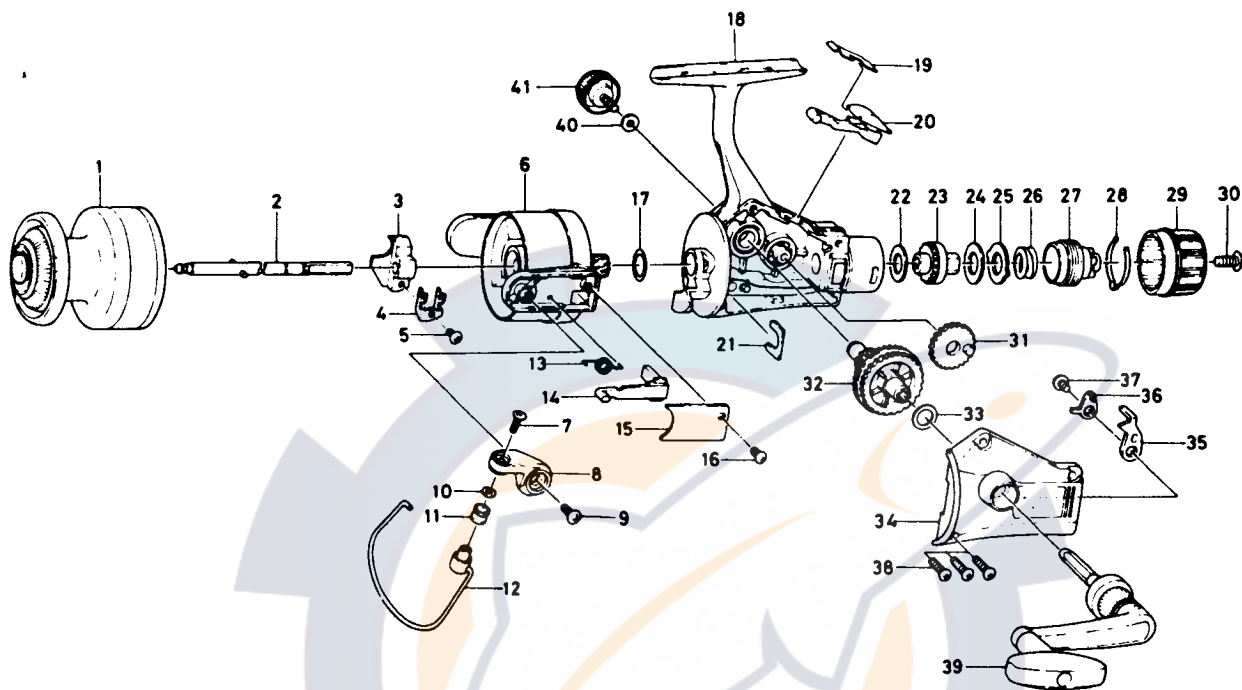


SPINNING REEL — J1350L



| Key No. | Part No. | Part Name | Price |
|---------|----------|-----------------------------|-------|
| 1 | B77-8813 | Spool assembly | 6.75 |
| 2 | B74-8201 | Main shaft | 1.35 |
| 3 | B74-8101 | Oscillating slider | .90 |
| 4 | B81-2701 | Oscillating slider retainer | .40 |
| 5 | 351-1804 | Oscillating slider screw | .45 |
| 6 | K06-1502 | Rotor | 4.75 |
| 7 | B67-9301 | Line roller screw | .40 |
| 8 | B91-6701 | Bail arm | .90 |
| 9 | 351-6102 | Bail arm screw | .50 |
| 10 | B55-4301 | Line roller washer | .40 |
| 11 | 250-3921 | Line roller | .90 |
| 12 | B91-6901 | Bail | 1.90 |
| 13 | B91-6501 | Bail spring | .50 |
| 14 | B91-6602 | Bail trip lever | .80 |
| 15 | B91-6802 | Bail spring cover | .45 |
| 16 | 352-0402 | Bail spring cover screw | .45 |
| 17 | 372-8600 | Pinion washer | .35 |
| 18 | K06-1401 | Body assembly | 4.95 |
| 19 | B79-0101 | Anti-reverse cam spring | .55 |
| 20 | B84-8901 | Anti-reverse lever | .60 |
| 21 | B60-3801 | Pinion retainer | .40 |

| Key No. | Part No. | Part Name | Price |
|---------|----------|-------------------------|-------|
| 22 | B48-9902 | Drag washer A | .45 |
| 23 | B74-7401 | Click gear | .50 |
| 24 | B76-0502 | Drag washer B | .45 |
| 25 | B49-0104 | Eared washer | .40 |
| 26 | B92-6701 | Drag coil spring | .55 |
| 27 | B74-7603 | Drag screw | .85 |
| 28 | B74-7701 | Drag washer spring | .45 |
| 29 | B74-7801 | Drag knob | .95 |
| 30 | 352-1103 | Drag knob screw | .55 |
| 31 | 413-4501 | Oscillating gear | .80 |
| 32 | B91-7101 | Drive gear | 1.65 |
| 33 | 375-8502 | Drive gear washer | .35 |
| 34 | K06-1601 | Side cover | 2.00 |
| 35 | E05-2002 | Anti-reverse pawl | .45 |
| 36 | B50-1201 | Anti-reverse pawl plate | .60 |
| 37 | 351-6102 | Anti-reverse pawl screw | .50 |
| 38 | 351-6407 | Side cover screw | .45 |
| 39 | E09-1101 | Handle assembly | 4.95 |
| 40 | B92-4902 | Handle lock washer | .35 |
| 41 | B92-5001 | Handle lock screw | .80 |